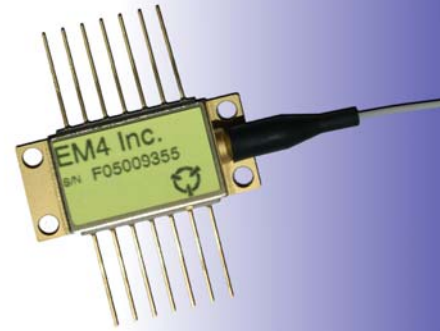


Features

- 150mW output power
- Fast pulsing capability
- PM or SM Fiber
- Laser welded, epoxy free and hermetically sealed
- Built in TEC, thermistor and monitor detector
- Rugged to shock and vibration

Applications

- Master oscillator for MOPA
- Seeder for fiber lasers
- Seeder for DPSS lasers



General Description

The 1064nm distributed Bragg reflector (DBR) is an InGaAs quantum well (MQW) laser diode. The module is ideal in applications where mode stability, low RIN and stable PM properties are needed. The module contains a cooler, thermistor and monitor detector. The hermetically sealed 14 pin butterfly package is designed and built using EM4s high reliability platform for defense components.

Absolute Maximum Ratings

Stresses beyond those listed under "Absolute Maximum Ratings" may cause permanent damage to the device. These are stress ratings only and operation of the device at these or conditions beyond these are not implied. Exposure to absolute maximum ratings for extended periods of time may affect device reliability.

Parameter	Sym	Condition	Min	Max	Unit
Storage Temperature	T _{STG}		-40	85	°C
Operating Case Temperature	T _{OP}		-20	75	°C
Laser Forward Current	I _F			550	mA
Laser Reverse Voltage	V _R			2	V
Photo Diode Forward Current	I _{PD}			10	mA
Photo diode Reverse Voltage	V _{PD}			20	V
TEC Current	I _{TEC}			6.0	A
TEC Voltage	V _{TEC}			4.0	V
Thermistor Current				2	mA
Thermistor Voltage				5	V
Lead Soldering Time				10	s
Lead Soldering temperature				250	°C
Fiber Pull Force				5	N
Fiber bend Radius			25		mm
ESD		HBM		500	V

The information published in this datasheet is believed to be accurate and reliable. EM4, Inc. reserves the right to change without notice including but not limited to the design, specification, form, fit or function relating to the product herein. ©2004 EM4, Inc. All rights reserved.

Optical And Electrical Characteristics

T_{OP}=25°C, continuous wave and beginning of life unless otherwise specified.

Parameter	Sym.	Condition	Min	Typ.	Max	Unit
Operating Chip Temperature	T _{CHIP}		15		35	°C
Threshold Current	I _{TH}			40	50	mA
Laser Drive Current	I _{OP}			500	550	mA
Laser Forward Voltage	V _F	I= I _{MAX}		2.0	2.5	V
Output Power	P _{OP}	I=I _{OP}		150		mW
Center Wavelength	λ	P=P _{OP}	1062	1064	1066	nm
Linewidth	Δ ν			8	10	MHz
Side Mode Suppression	SMSR	P=P _{OP}	-30			dB
Polarization Extinction Ratio	PER		14	19		dB
Monitor Photo Diode Current	I _{PD}	P=P _{OP}	50			μA
Monitor Photo Diode Dark Current	I _D				100	nA
TEC Current		ΔT=25°C, P=P _{OP}			3.5	A
TEC Voltage		ΔT=25°C, P=P _{OP}			3.5	V
Thermistor Resistance	R _{TH}	T=25°C	9500	10000	10500	Ω
Thermistor β coefficient	β	0 / 50°C		3892		

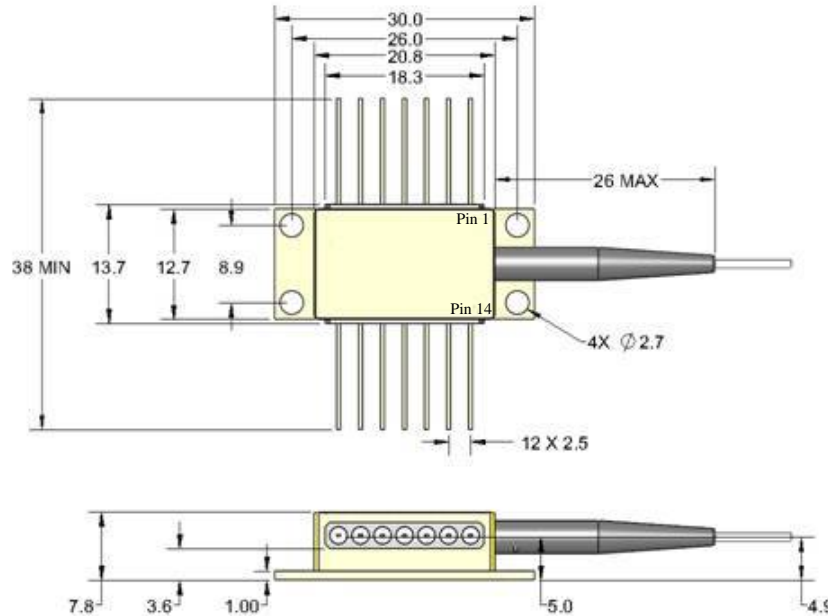
Fiber Specification

Parameter	Sym	Condition	Min	Typ.	Max	Unit
Fiber Type			PM			
Jacket Material			Hytrel Acrylate			
Core Diameter			5.6	6.6	7.6	μm
Cladding Diameter			123	125	127	μm
Buffer Diameter			230	245	260	μm
Pigtail Length With Grating			1.5	3		m
Pigtail Length Without Grating			1.0	1.3	m	
Proof Strength			120			kpsi

The information published in this datasheet is believed to be accurate and reliable. EM4, Inc. reserves the right to change without notice including but not limited to the design, specification, form, fit or function relating to the product herein. ©2004 EM4, Inc. All rights reserved.

Mechanical Drawing

All units in mm



Pinning

Pin	Description
1	TEC +
2	Thermistor
3	Monitor PD Anode
4	Monitor PD Cathode
5	Thermistor
6	NC
7	NC
8	NC
9	MC
10	Laser Anode
11	Laser Cathode
12	NC
13	Case GND
14	TEC -

Ordering Information

EM509



The component complies with all applicable portions of 21 CFR 1040.10, 21 CFR 1010.2 and 21 CFR 1010.3. Since this is a component, it does not comply with all of the requirements contained in 21 CFR 1040.10 and 21 CFR 1040.11 for complete laser products.

For pricing and delivery information, please contact EM4 inc. direct at +1 781 275 75 01, sales@em4inc.com or any of the representatives listed at www.em4inc.com.

The information published in this datasheet is believed to be accurate and reliable. EM4, Inc. reserves the right to change without notice including but not limited to the design, specification, form, fit or function relating to the product herein. ©2008 EM4, Inc. All rights reserved.